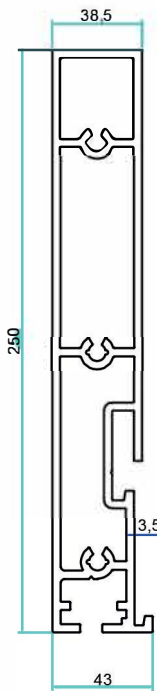




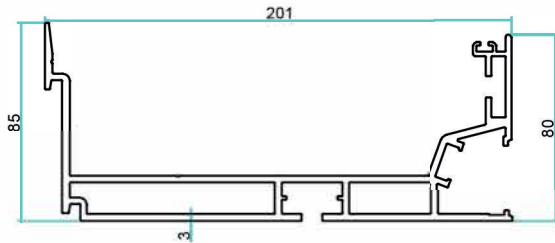
BIO-PERGOLA SYSTEMS  
SISTEMA BIO-PERGOLA

**EX** **EXPALUM**  
EXTREMEÑA DE PERFILADOS DE ALUMINIO, S.L.

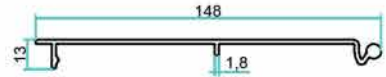




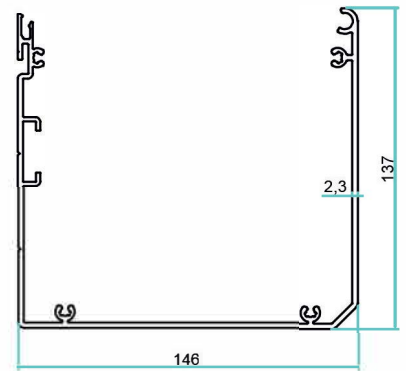
Cod:2088- 7,213 kg/m  
250' Groove Sewing  
250' Perfil unión



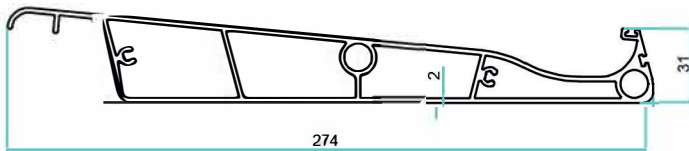
Cod: 2089- 4,950 kg/m  
Additional Gutter  
Canalón adicional



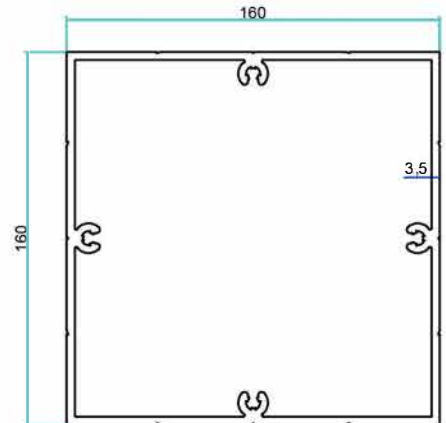
Cod: 2091- 0,915 kg/m  
Engine Box Cover  
Tapa del cajón del motor



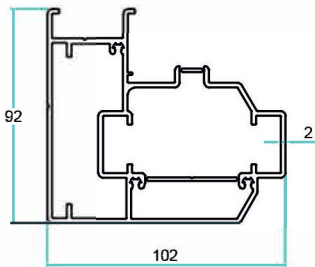
Cod: 2090- 3,075 kg/m  
Engine Box  
Cajón del motor



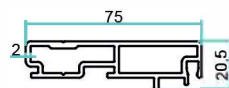
Cod: 2096- 3,997 kg/m  
Panel Profile  
Perfil lama



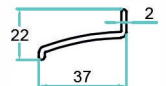
Cod: 2087 - 6,819 kg/m  
160x160 Sewing Profile  
160x160 Perfil columna



Cod: 2279- 3,005 kg/m  
Rail Profile  
Perfil viga



Cod: 2280- 1,150 kg/m  
Rail Top Cover Profile  
Perfil cubierta de viga



Cod: 2092- 0,323 kg/m  
Behind the Panel  
Perfil comienzo



**250 Groove Sewing**  
*250 Perfil unión*

**Product Code: 2088**

**Weight kg/m: 7,213**  
 (250 x 38,5 x 3,5 mm)



**Additional Gutter**  
*Canalón adicional*

**Product Code: 2089**

**Weight kg/m: 4,950**  
 (85 x 201 x 3 mm)



**160x160 Sewing Profile**  
*160x160 Perfil columna*

**Product Code: 2087**

**Weight kg/m: 6,819**  
 (160 x 160 x 3,5 mm)



**Engine Box Cover**  
*Tapa del cajón del motor*

**Product Code: 2091**

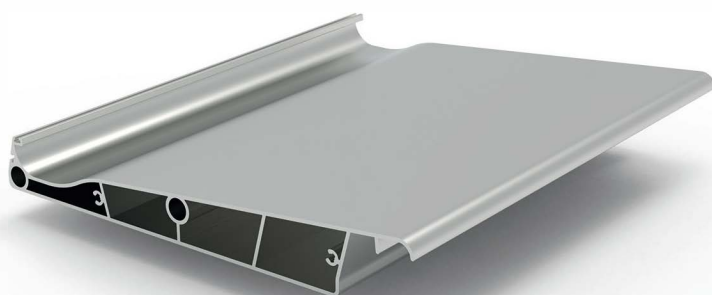
**Weight kg/m: 0,915**  
**(13 x 148 x 1,8 mm)**



**Engine Box**  
*Cajón del motor*

**Product Code: 2090**

**Weight kg/m: 3,075**  
**(146 x 137 x 2,3 mm)**



**Panel Profile**  
*Perfil lama*

**Product Code: 2096**

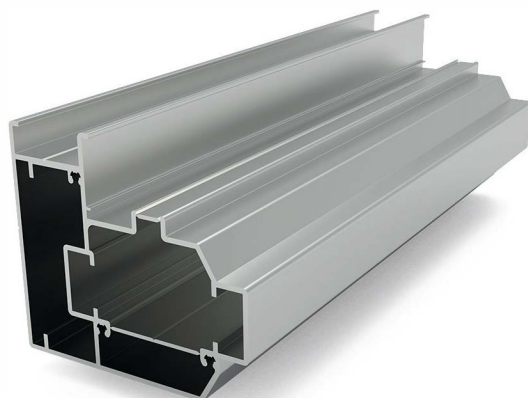
**Weight kg/m: 3,997**  
**(274 x 31 x 2 mm)**



**Rail Top Cover Profile**  
*Perfil cubierta de viga*

**Product Code: 2280**

**Weight kg/m: 1,150**  
**(75 x 20,5 x 2 mm)**



**Rail Profile**  
*Perfil viga*

**Product Code: 2279**

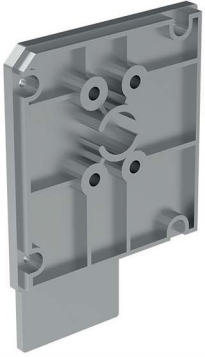
**Weight kg/m: 3,005**  
**(102 x 92 x 2 mm)**



**Behind the Panel**  
*Perfil comienzo*

**Product Code: 2092**

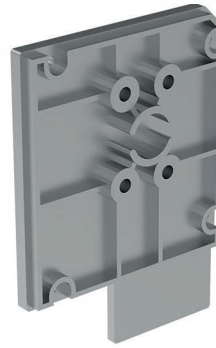
**Weight kg/m: 0,323**  
**(37 x 22 x 2 mm)**



**Engine Side Cover Right**  
*Testero derecho del motor*

**Product Code: B20-001**

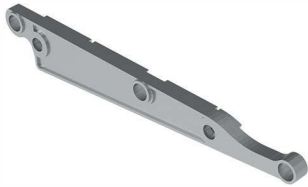
**Box Piece:**



**Engine Side Cover Left**  
*Testero izquierdo del motor*

**Product Code: B20-002**

**Box Piece:**



**Panel Side Cover Right**  
*Tapa derecha para lama*

**Product Code: B20-003**

**Box Piece:**



**Panel Side Cover Left**  
*Tapa izquierda para lama*

**Product Code: B20-004**

**Box Piece:**



**Engine Side Cover Right**  
*Tapa motor derecha*

**Product Code: B20-005**

**Box Piece:**



**Engine Side Cover Left**  
*Tapa motor izquierda*

**Product Code: B20-006**

**Box Piece:**



**Corner Joiner Interior**  
*Esquinero interior*

**Product Code: B20-007**

**Box Piece:**



**Corner Joiner outer**  
*Esquinero exterior*

**Product Code: B20-008**

**Box Piece:**



**Octagonal Gear**  
*Engranaje octogonal*

**Product Code: B20-009**

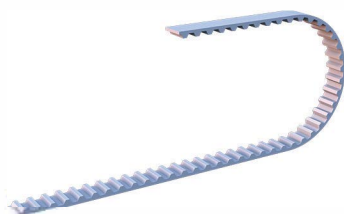
**Box Piece:**



**Led**  
*Led*

**Product Code: B20-010**

**Box Piece:**



**Timing Belt**  
*Correa dentada*

**Product Code: B20-011**

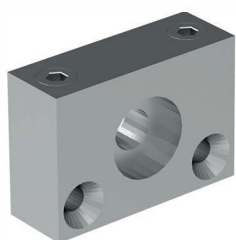
**Box Piece:**



**Roller**  
*Rodamiento*

**Product Code: B20-012**

**Box Piece:**



**Bearing Housing**  
*Caja de cojinetes*

**Product Code: B20-013**

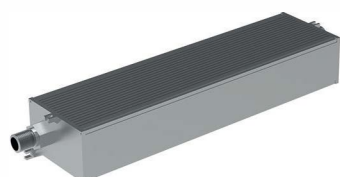
**Box Piece:**



**Seventy Pipe Head**  
*Cabeza de tubo de setenta*

**Product Code: B20-014**

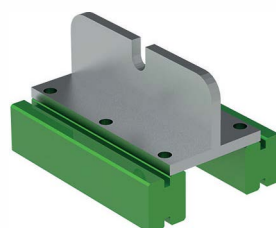
**Box Piece:**



**External Transformer**  
*Transformador externo*

**Product Code: B20-015**

**Box Piece:**



**Belt Pulling Apparatus**  
*Aparato de tracción de la correa*

**Product Code: B20-016**

**Box Piece:**



**Panel Fixing Right**  
Fijación de lama derecho

**Product Code: B20-017**

**Box Piece:**



**Belt Pusher**  
Empujador de correa

**Product Code: B20-018**

**Box Piece:**



**Belt Tensioning Stainless Right**  
Tensador inoxidable de correa derecho

**Product Code: B20-019**

**Box Piece:**



**Panel Wheel Stud (10mmx115mm)**  
Perno de la rueda de la lama (10mmx115mm)

**Product Code: B20-020**

**Box Piece:**



**Panel Wheel Stud (12mmx55mm)**  
Espárrago de la rueda de la lama (12mmx55mm)

**Product Code: B20-021**

**Box Piece:**



**Panel Top Front Stud**  
Espárrago frontal superior de la lama

**Product Code: B20-022**

**Box Piece:**



**Panel Center Stud**  
Espárrago central de la lama

**Product Code: B20-021**

**Box Piece:**



**Panel Wheel And Medium Long Bushing**  
Rueda de lama y casquillo medio largo

**Product Code: B20-024**

**Box Piece:**



**Panel Cover Long Bushing**  
Casquillo largo de la tapa de la lama

**Product Code: B20-025**

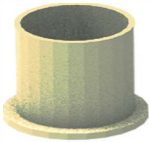
**Box Piece:**



**Panel Cover Short Bushing**  
Casquillo corto de la tapa de la lama

**Product Code: B20-026**

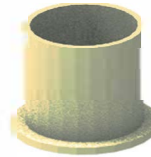
**Box Piece:**



**Panel Cover Twelve Short Bushing**  
Casquillo largo de la tapa de la lama

**Product Code: B20-027**

**Box Piece:**



**Panel Cover Short Bushing**  
Casquillo corto de la tapa de la lama

**Product Code: B20-028**

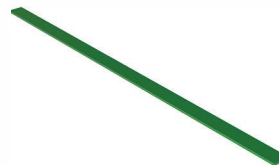
**Box Piece:**



**Led cover**  
Cubierta led

**Product Code: B20-029**

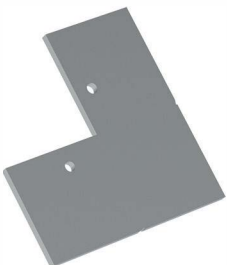
**Box Piece:**



**Rail Channel Plastic**  
Canal de plástico para rieles

**Product Code: B20-030**

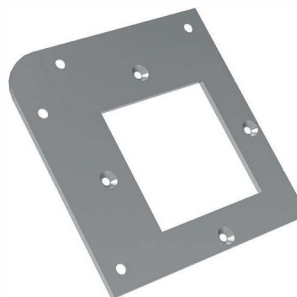
**Box Piece:**



**Strut Corner Top Cover**  
Cubierta superior del esquinero

**Product Code: B20-031**

**Box Piece:**



**Corner Foot Top Connection**  
Conexión superior del pie esquinero

**Product Code: B20-032**

**Box Piece:**

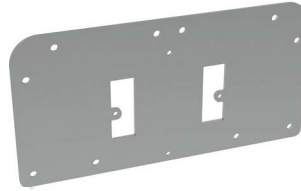


**Corner Foot Bottom Connection**

Conexión inferior del pie de esquinero

**Product Code: B20-033**

**Box Piece:**

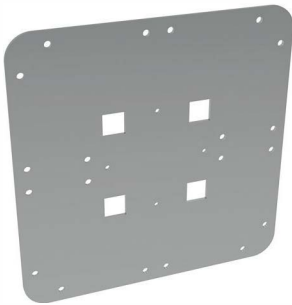


**Corner Foot Middle Upper Connection**

Conexión media del pie de esquinero

**Product Code: B20-034**

**Box Piece:**



**Middle foot upper connection**

Conexión superior del pie medio

**Product Code: B20-035**

**Box Piece:**



**Corner and Middle Bottom Connection**

Conexión de esquina y parte inferior central.

**Product Code: B20-036**

**Box Piece:**



**Rail Front Belt Adjustment Cover**

Cubierta de ajuste de la correa delantera del carril

**Product Code: B20-037**

**Box Piece:**



**Seventy Pipe**  
Eje de 70

**Product Code: B20-038**

**Box Piece:**



**Rail Bristle Brush**

Cepillo de cerdas del carril

**Product Code: 820-039**

**Box Piece:**



**Panel EPDM gasket**

Junta de EPDM de la lama

**Product Code: 820-040**

**Box Piece:**



**Groove EPDM Gasket**  
Junta EPDM de ranura

**Product Code: B20-041**

**Box Piece:**



**M8x40 Special Corner Bolt**  
M8x40 Perno de esquina especial

**Product Code: B20-044**

**Box Piece:**



**M8x20 Countersunk Imbus Stainless**  
M8x20 Avellanado inoxidable imbus

**Product Code: B20-045**

**Box Piece:**



**6,3x32 YHB (Inox Hair screw)**  
6,3x32 YHB (Tornillo de pelo de acero inoxidable)

**Product Code: B20-046**

**Box Piece:**



**4,8x25 YSB (Inox Hair Screw)**  
4,8x25 YSB (Tornillo de pelo de acero inoxidable)

**Product Code: B20-047**

**Box Piece:**



**M6x16 J Imbus**  
M6x16 Avellanado inoxidable imbus

**Product Code: B20-048**

**Box Piece:**



**M8x16 J Imbus**  
M8x16 Avellanado inoxidable imbus

**Product Code: B20-049**

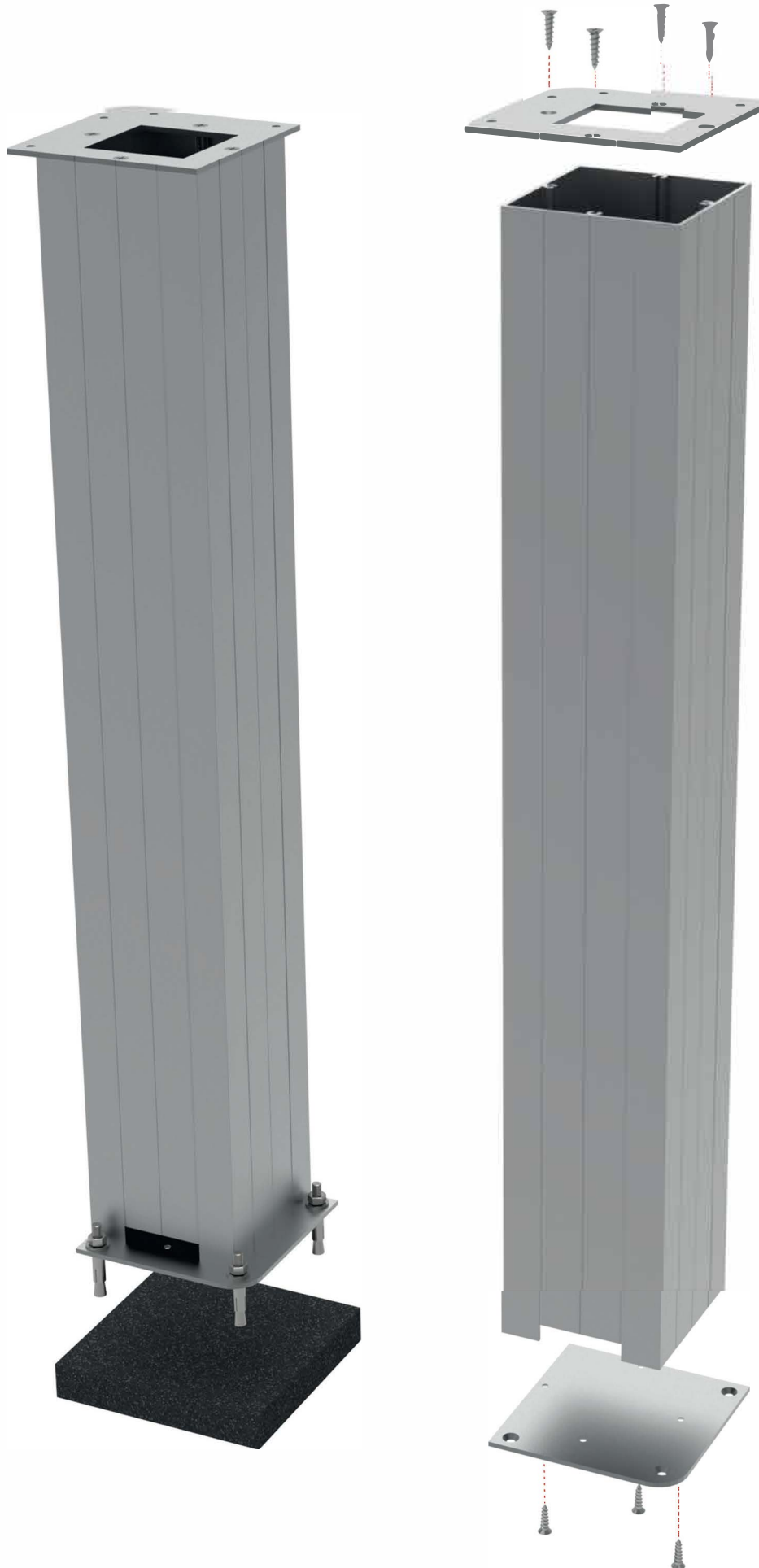
**Box Piece:**

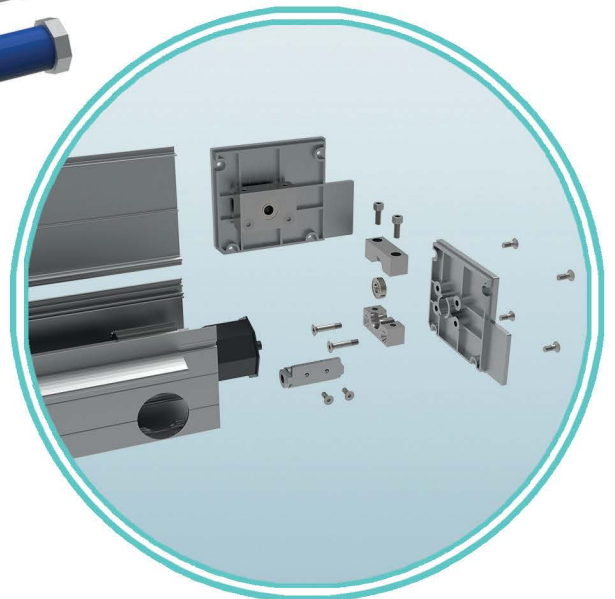
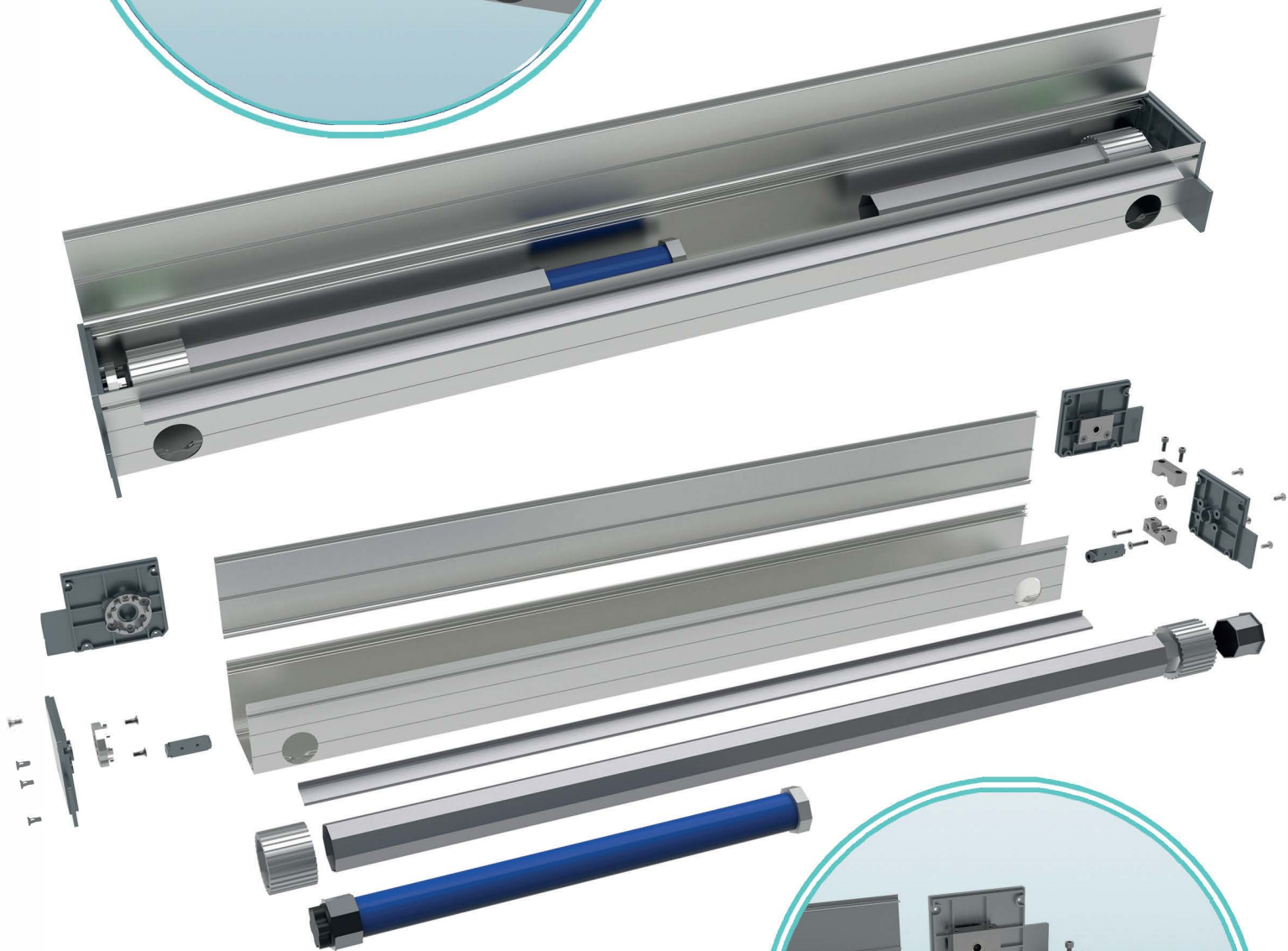
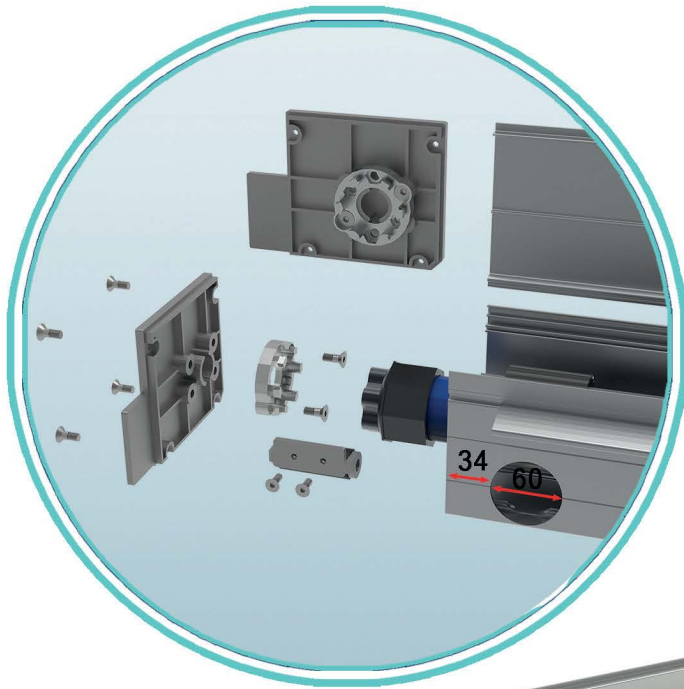


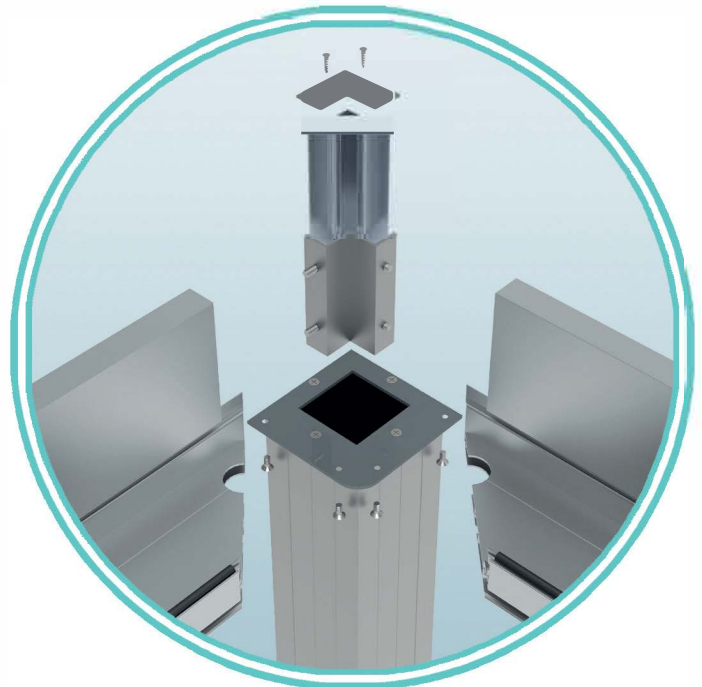
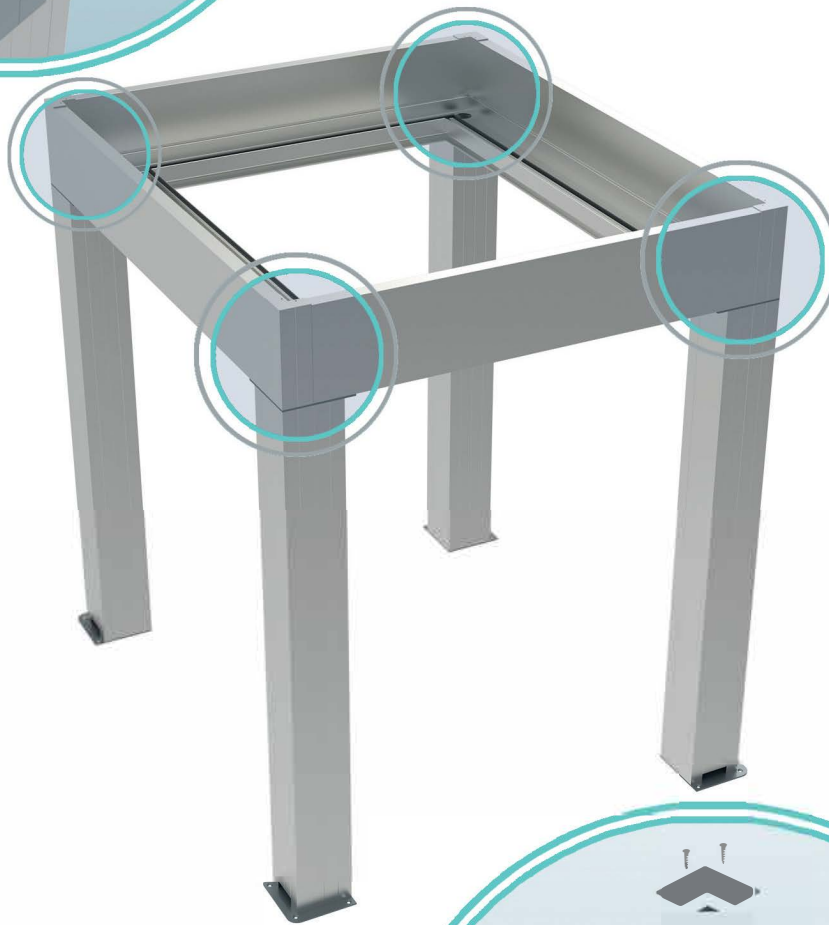
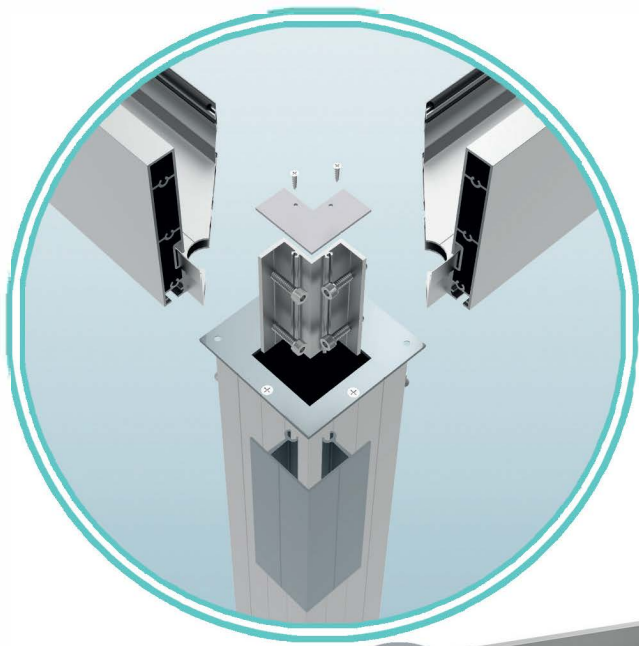
**M8 Tuerca plana**

**Product Code: B20-050**

**Box Piece:**







LAMEL ASSEMBLY  
ENSAMBLAJE DE LAMAS



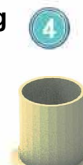
**Panel Wheel And Medium Long Bushing**  
Rueda de lama y casquillo medio largo  
Product Code: B20-024



**Panel Cover Twelve Short Bushing**  
Casquillo largo de la tapa de la lama  
Product Code: B20-027



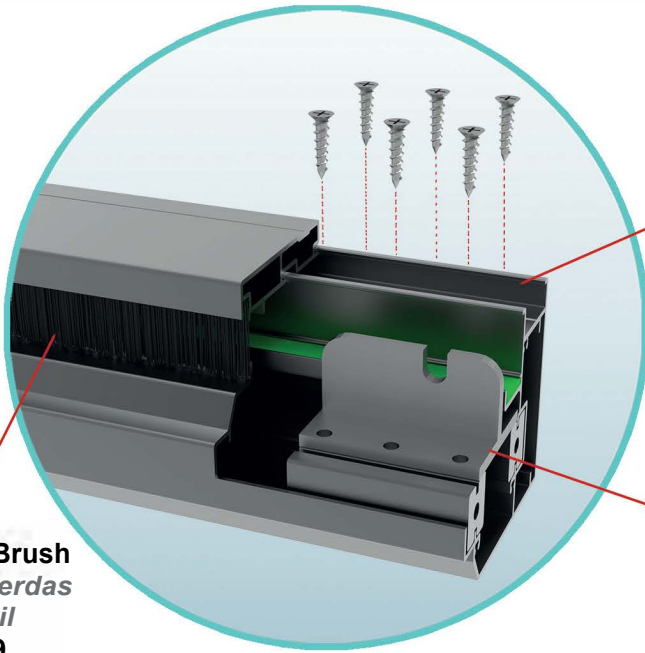
**Panel Cover Short Bushing**  
Casquillo corto de la tapa de la lama  
Product Code: B20-026



**Panel Cover Long Bushing**  
Casquillo largo de la tapa de la lama  
Product Code: B20-025



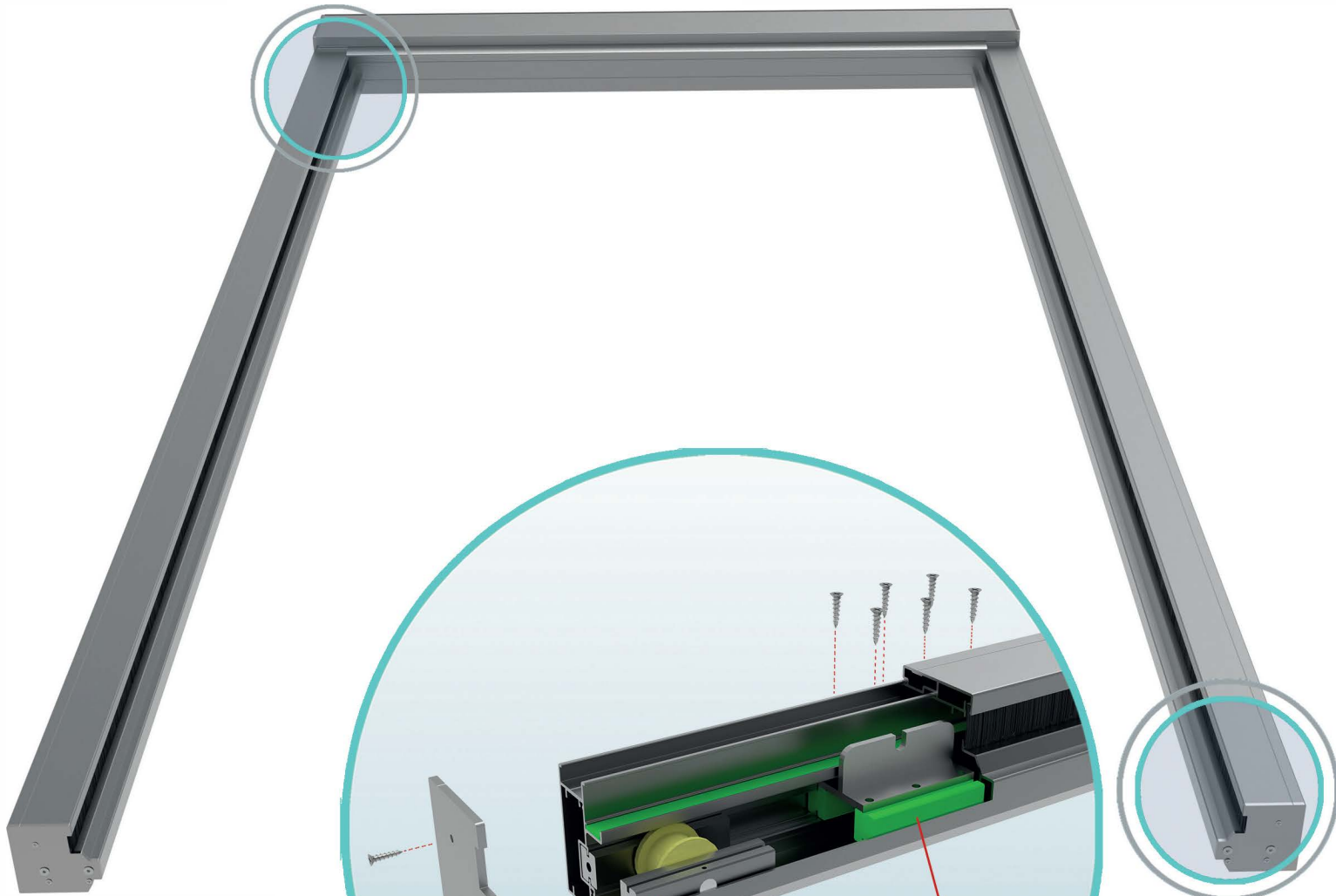
**Scissor Pulley Long Bushing**  
Casquillo largo para polea de tijera  
Product Code: B20-028



**Rail Bristle Brush**  
Cepillo de cerdas  
del carril  
B20-039

**Rail Profile**  
Perfil de carril  
2279

**Panel Fixing Right**  
Fijación del panel a  
la derecha  
B20-017



**Rail Front Belt Adjustment Cover**  
Cubierta de ajuste de la correa  
delantera del carril:  
B20-037

**Belt Tensioning Stainless Right**  
Tensorador inoxidable de correa derecho  
B20-019

**Belt Pulling Apparatus**  
Aparato de tracción de la correa  
B20-016

